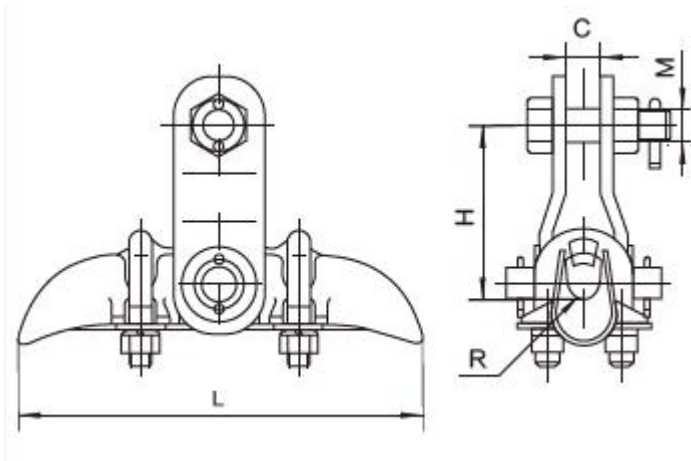


Overview

Suspension clamp is an important fixed fitting used to suspend or support transmission wires and withstand vertical loads.



Parameter

Catalog No.	Conductor Dia. (mm)	Dimensions (mm)					Rated Failure Load (kN)	Weight (kg)
		H	L	R	C	M		
XGU-1	5.0-7.0	82	180	4	18	16	40	1.4
XGU-2	7.1-13.0	82	200	7	18	16	40	1.8
XGU-3	13.1-21.0	102	220	11	18	16	40	2
XGU-4	21.1-26.0	110	250	13.5	18	16	40	3

The clamp body and keeper are made of malleable iron, the lock pin is made of stainless steel, and the rest are steel, malleable and hot-dip galvanized steel.